



TRANS  LUMINAL



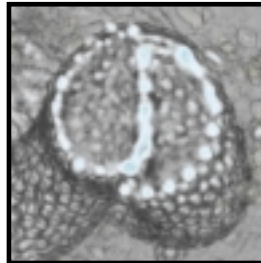
Accomplishing the impossible...

In order to help make your idea a **reality**,

TRANSLUMINAL had brought together a team of engineers, technicians and operators.

They study, develop and manufacture novel **medical devices**.

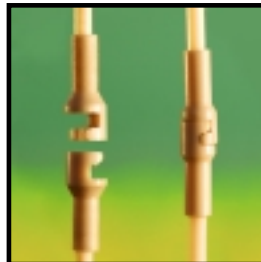
Transluminal therapies



Methodical and precise



Technical solutions



From idea to prototype



A growing field, transluminal therapies.

*Transluminal therapy :
procedure using natural
tracts as entry route
(vessels, digestive system,
airways ...)*

Inventing **minimal invasive** procedures in collaboration
with medical and surgical teams.

A multidisciplinary team to **design** new tools.

Technical experts to **support** medical **innovation**.

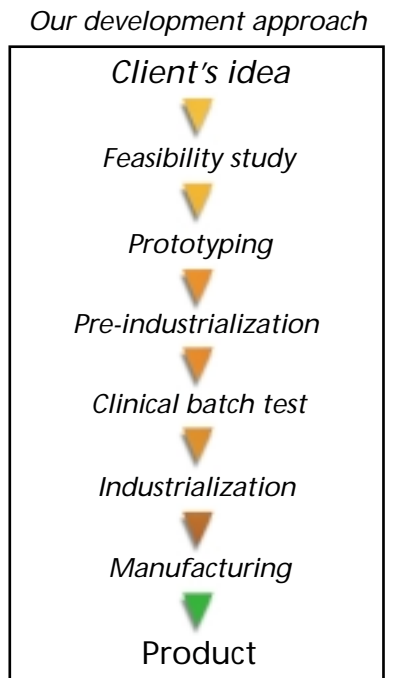


The key to success, structure and precision.

A structured development phase, **approved** by the client at each step.

Quality management complying with **ISO 13485** standards.

A **precise** and **methodical** process from design to manufacture.



From idea to product, technological solutions.

Manufacturing examples :
Complex devices, thin wall
micro tubing
Polymer micro pipettes
+/- 5µm tolerance

Finding the best suited **biomaterials**.

Mastering conventional plastic processing
techniques: **extrusion, mould-injection, thermoforming...**

Creating original manufacturing processes due
to **micro-technique** expertise.



Ahead of the game, the idea quickly turns into a prototype

Application examples :

Coronary bifurcation angioplasty

Aortic valve replacement

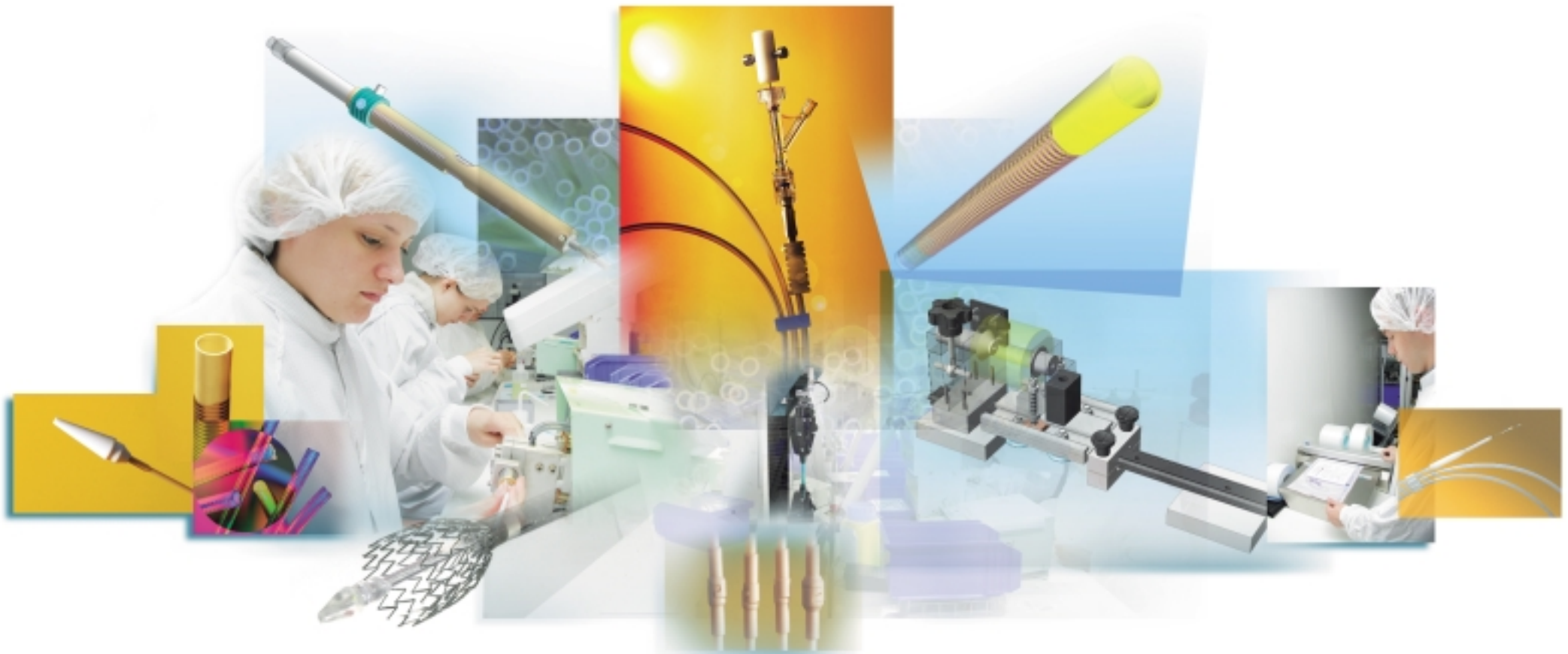
Abdominal Aorta Aneurism treatment

Atrial Septal Defect occlusion

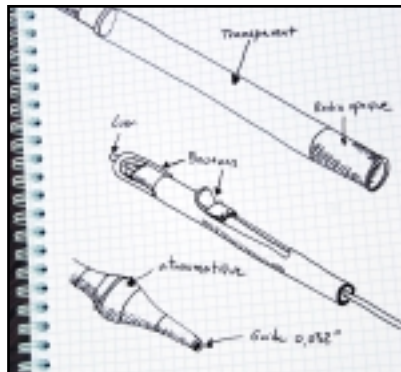
Computer-aided design : an efficient means to put the idea into perspective and develop it.

Over 15 years experience : Efficient knowledge to rapidly turn an idea into reality.

A comprehensive technical **environment** : all the means necessary for manufacturing test batches for clinical evaluations.



From idea...

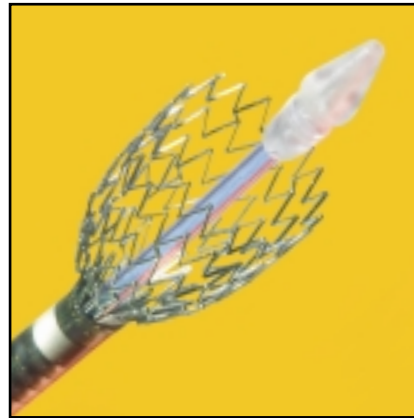


TRANS LUMINAL



... to manufacture

TRANS  LUMINAL



Accomplish the impossible

Boulevard de la MOSELLE
POMPEY 54340
FRANCE

Phone : +33 (0) 383 247 599
Fax : +33 (0) 383 247 591
www.transluminal.eu